

TACOFLOW2 PURE (PLUS)

DHW CIRCULATION PUMPS FOR POTABLE WATER SYSTEMS



DHW circulation pumps for domestic hot water systems in residential and commercial buildings.

DESCRIPTION

The TacoFlow2 PURE (PLUS) circulation pumps are virtually maintenance-free. You can reduce power consumption by up to 80% compared to a standard circulation pump, whilst maintaining the same hydraulic output.

INSTALLATION POSITION

The pump can be installed both horizontally or vertically. The arrow indicating the medium's flow direction must be observed.

ADVANTAGES

- Highly efficient circulation pump
- Efficient output setting with three constant-pressure curves
- Ceramic shaft
- Contact sensor for temperature control (PLUS version)
- Integrated timer for individual seven-day programming (PLUS version)
- LCD (PLUS version)
- Media temperature range from +5 °C to +65 °C
- Suitable for use in domestic hot water systems

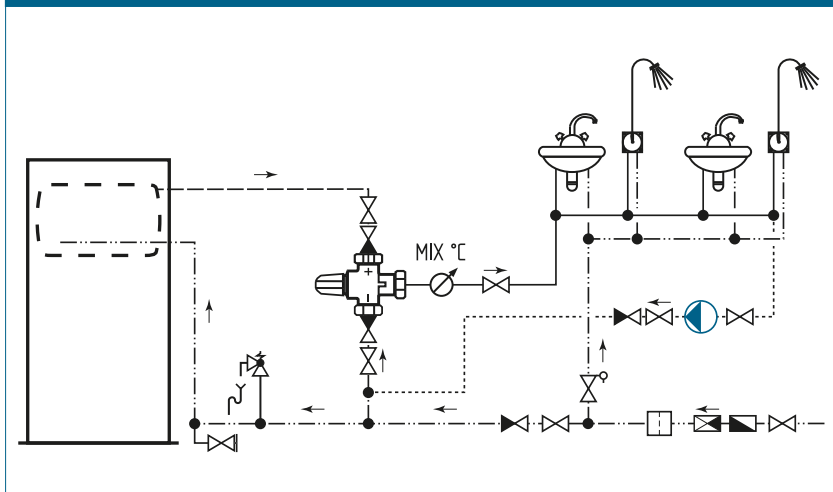
OPERATION

The rotating parts of the motor run inside the pumped medium. This ensures the lubrication of the motor and the rotating parts. The circulation pump is equipped with anti-blocking protection. The pump can be optimally adapted to the system by selecting the most appropriate of the three available curves.

BUILDING CATEGORIES

- Apartment blocks, single family dwellings, housing estates, multiple dwelling units
- Smaller public buildings
- Facilities with partial use, such as barracks, camping sites

SYSTEM/BASIC DIAGRAM



TACOFLOW2 PURE (PLUS) | DHW CIRCULATION PUMPS FOR POTABLE WATER SYSTEMS

SPECIFICATION TEXT

See www.taconova.com

TECHNICAL DATA

Pump

- Ambient temperature: +0°C to +40°C
- Permissible temperature range: +5°C to +65°C
- Static pressure: Max. 1.0 MPa - 10 bar
- Maximum flow rate: 650 l/h
- Control: 3 constant characteristic curves
- Anti-blocking protection

Material

- Pump body: brass

Motor and electronics

- Supply voltage: 1x230 V; frequency: 50 Hz
- No external motor protection required
- Protection rating: IP 44

Fluids

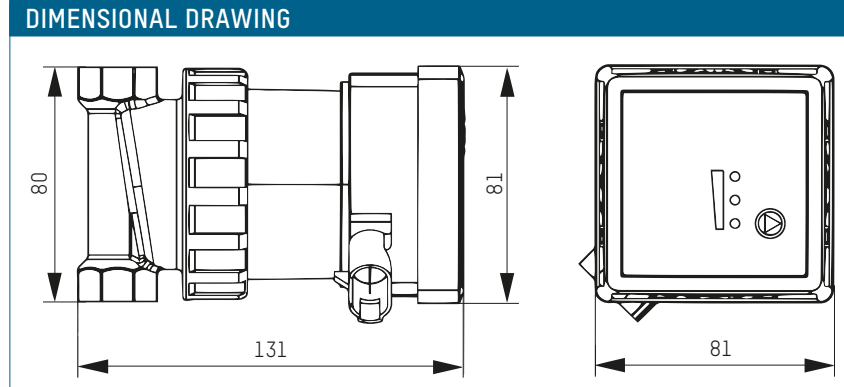
- Drinking water < 20° dH

TYPE OVERVIEW

TacoFlow2 PURE | DHW circulation pumps for potable water systems
High-efficiency DHW circulation pump in glandless design with brass housing, insulation shell and plug connection.

Pump head: 1.4 m.

Order no.	Designation	Rp	Centre distance	Weight
302.2416.000	PURE 15-14/80	½"	80 mm	1,210 kg

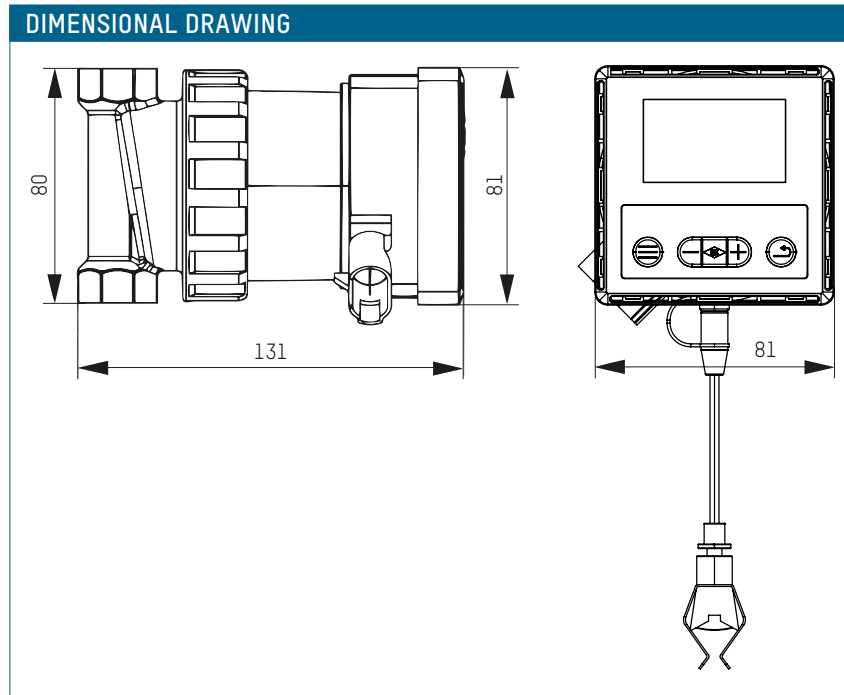


TacoFlow2 PURE PLUS | DHW circulation pumps for potable water systems
High-efficiency DHW circulation pump in glandless design with brass housing, insulation shell and plug connection.

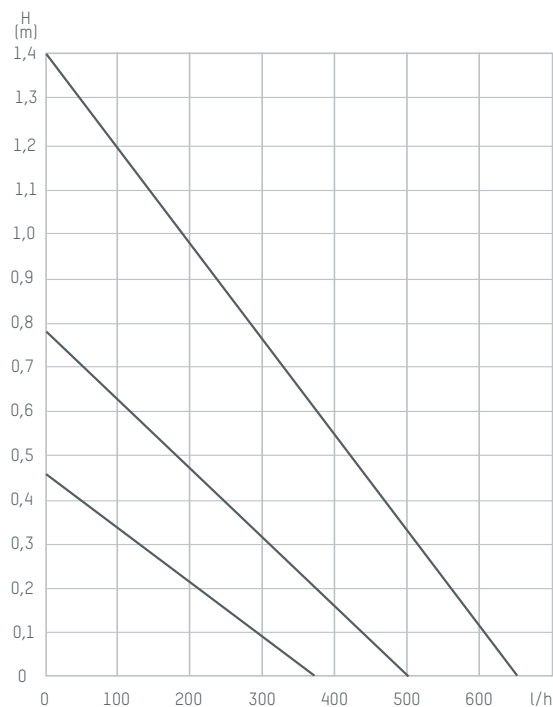
LCD display, integrated timer for setting individual weekly programmes and contact sensor for monitoring the temperature.

Pump head: 1.4 m.

Order no.	Designation	Rp	Centre distance	Weight
302.2417.000	PURE PLUS 15-14/80	½"	80 mm	1,280 kg



PERFORMANCE CURVES



ACCESSORIES

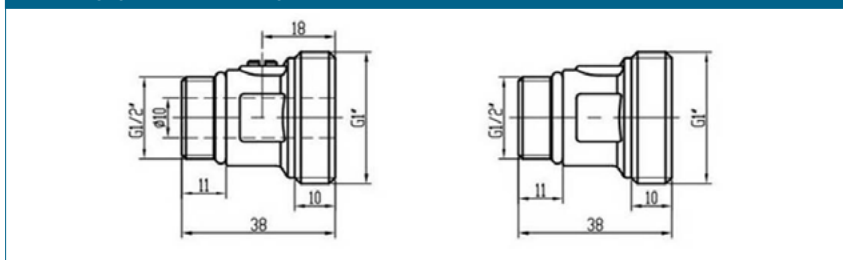


BALL-VALVE & GRAVITY-BRAKE PLUGS

2-piece set consisting of a ball valve plug and a gravity brake plug. The set is suitable for both the PURE 15-14/80 and PURE PLUS 15-14/80. The plugs extend the pump (before: 80 mm / after: approx. 136 mm).

Order no.	Connections	Length	Total weight
231.5000.000	G 1/2" / G 1"	38 mm each	0,19 kg

DIMENSIONAL DRAWING



Subject to modification. 11/2022

CONTACT AND FURTHER INFORMATION

TACONOVA.COM

Taconova Group AG | Neunbrunnenstrasse 40 | CH-8050 Zürich | T +41 44 735 55 55 | F +41 44 735 55 02 | group@taconova.com
Taconova UK Ltd | 2a Baxter Road | Sheffield S6 1JF | England | T +44 (0) 114 231 3700 | adminuk@taconova.com | taconova.uk