

**2 YEARS
WARRANTY**

FRESHPOINT



**Smart HRV unit
for single-room ventilation**

2

FRESHPOINT

SMART HRV UNIT FOR SINGLE-ROOM VENTILATION



up to
70 m³/h



up to
88 %



Freshpoint – single room heat recovery ventilator is a state-of-the-art solution that combines superior air filtration, heat recovery ventilation, intelligent energy management, and a user-friendly interface. With its compact design and environmentally conscious manufacturing, it provides an effective and sustainable way to enhance indoor air quality while reducing energy consumption.

FEATURES

Simultaneously supplies and extracts air through one hole in the outer wall.

Reducing heat losses caused by ventilation due to heat recovery.

Humidity balance and controllable air exchange create individually controlled microclimate.

Creates balanced ventilation.



Functions

3 speeds, adjustable from 0 to 100%

Wi-Fi and Google Assistant

Electric heater

RH%, CO₂, VOC sensors

Alarm

Filter maintenance indication

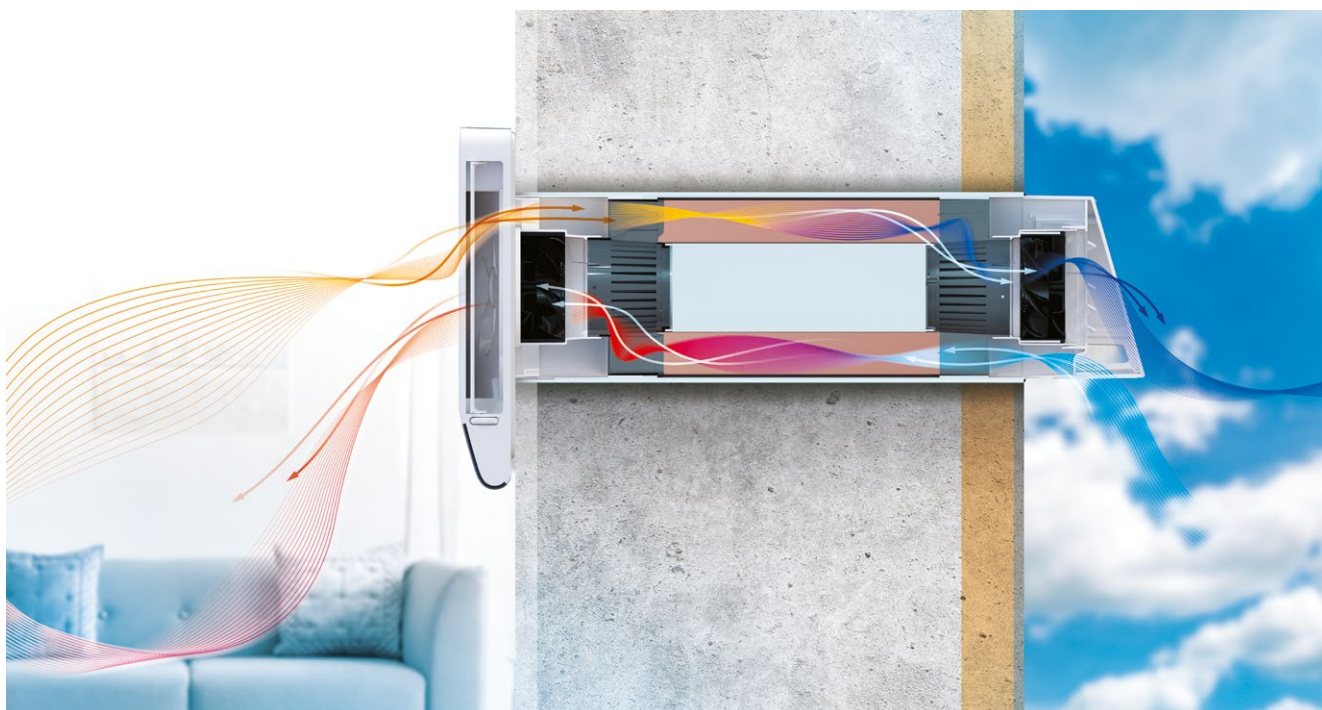
Night timer

Turbo timer

Week schedule

Auto, heat recovery, supply only, extract only modes

Principle of working

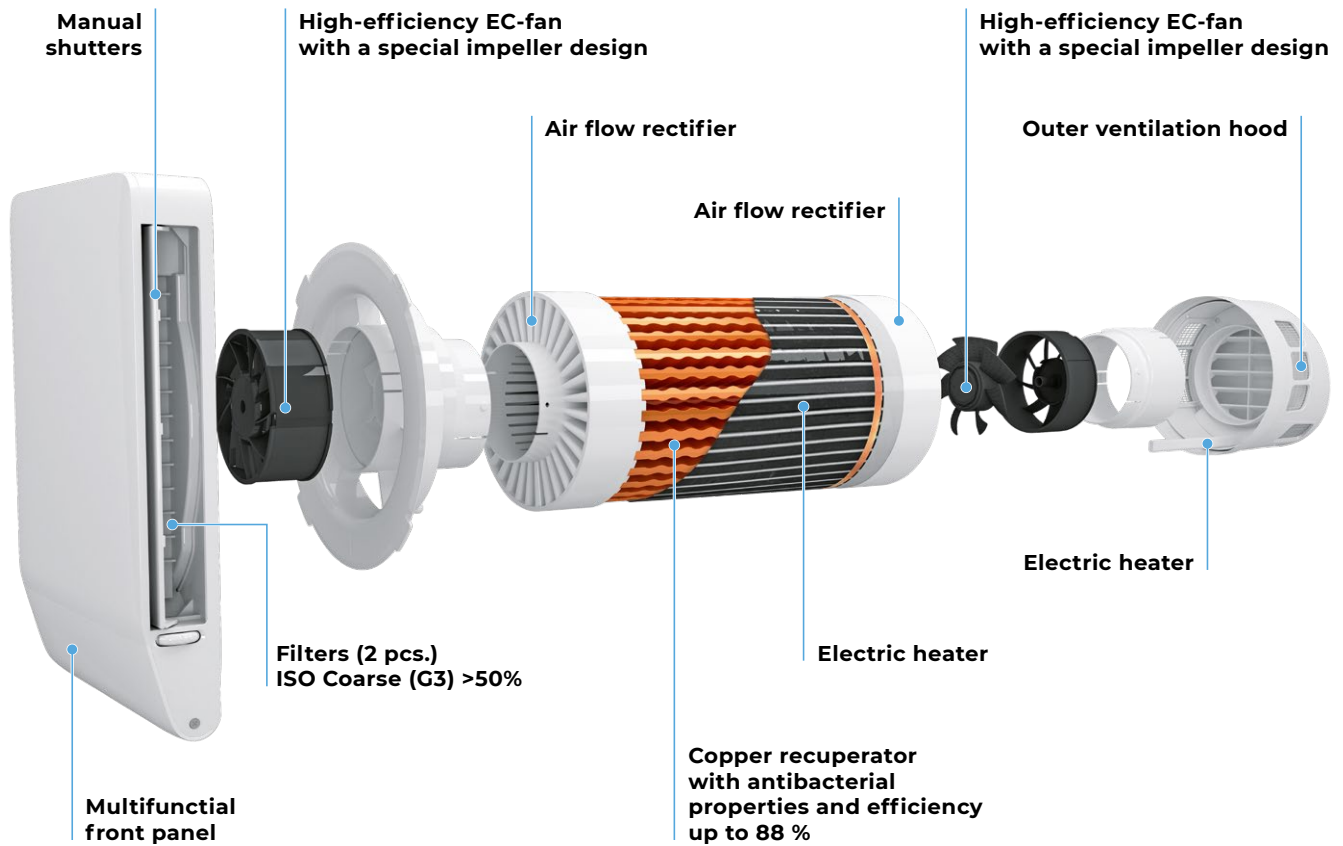


Simultaneously supplies and removes air through one hole in the outer wall.

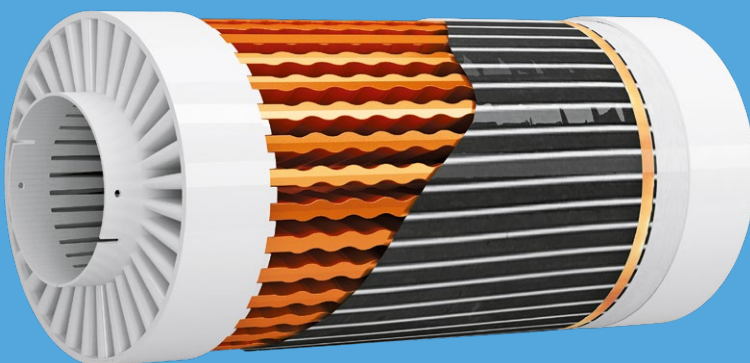
Creates balanced ventilation.

Reduces heat loss through ventilation due to heat recovery.

Design



Copper recuperator



ADVANTAGES

- the use of high-quality refined copper guarantees significant performance thermal conductivity and antiseptic properties;
- patented technology and know-how in the form of wavy ribs significantly increase the contact surface for maximum efficiency;
- a new and modern automated recuperator production line ensures stable quality;
- the design of the recuperator has low air resistance, so the fans consume less electricity and create less noise.

PATENTED



All functions in your smartphone

Freshpoint – it's not just ventilation, it's a real climate station in your home. Control all functions and parameters via the mobile app.



AND EVEN MORE.

Just say «Hello Google» and test, control and run Freshpoint in English, German, Swedish, Norwegian, Danish, Polish, Dutch, French, Spanish*.

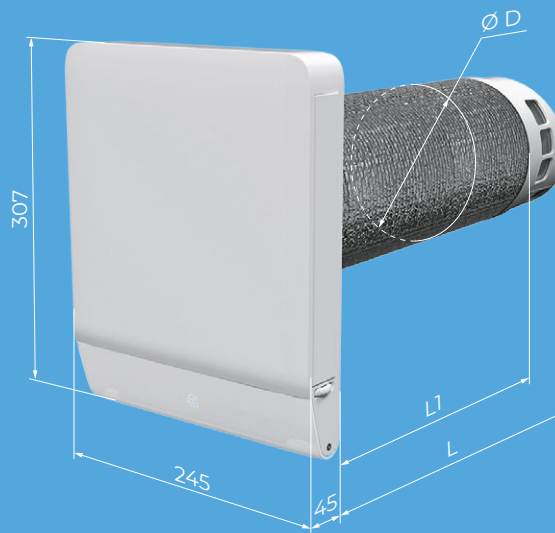


* Important: The feature availability could depend on your country, region and language. Check it for your speaker/ smartphone or ask its manufacturer.

Overall dimensions [mm]

	$\varnothing D$	L	L1
Freshpoint 160-E Freshpoint 160-E Pro	162	540	439
Freshpoint 200-E Freshpoint 200-E Pro	206	553	447

The recommended minimum wall thickness is 400 mm.
For walls with other thicknesses, it is possible to use extensions (option, ordered separately).



Technical data

Model	Freshpoint 160-E Freshpoint 160-E Pro	Freshpoint 200-E Freshpoint 200-E Pro
Air flow [m ³ /h]	57	70
Heat recovery efficiency [%]	up to 88	up to 85
Power [W]	up to 22	up to 16
Sound pressure level LpA @ 3 m [dBA]	42	45
Heating	+	+
Electric heater power [W]	100	100
Transported air temperature [°C]	-30...+50	-30...+50
SEC Class	A	A

Assortment

Options & functions	Freshpoint	Freshpoint Pro
Heat recovery, supply only, extract only, auto (using temperature sensors) modes	+	-
Heat recovery, supply only, extract only, auto (using temperature and air quality sensors) modes	-	+
3 speeds with independent adjustment from 0 to 100 % for supply and exhaust	+	+
4 temperature sensors (outdoor, supply, exhaust and indoor)	+	+
Light sensor	+	+
Humidity sensor (RH%)	+	+
Carbon dioxide sensor (CO ₂)	-	+
Air quality sensor (tVOC)	-	+
Frost protection and electric heater to maintain a comfortable supply air temperature	+	+
Filter maintenance indication	+	+
Efficiency level indicator	-	+
Remote control using an IR remote control and a smartphone via Wi-Fi	+	+
Functional mobile application with voice control, cloud service	+	-
Functional mobile application with voice control, cloud service and air quality level statistics	-	+
Main screens in the mobile application	<ul style="list-style-type: none"> • Speed (3 speeds) • Speed (smooth adjustment) • Heater 	Add: <ul style="list-style-type: none"> • Temperature and efficiency • Indoor temperature (graph) • Humidity (graph) • CO₂ (graph) • tVOC (graph)



blaubergventilatoren.de

Blauberg Ventilatoren GmbH
Stäblistraße 6
81477 Munich, Germany
HRB 203341
info@blaubergventilatoren.de

Technical changes reserved.
Illustrations and texts are non-binding.

11|2023

